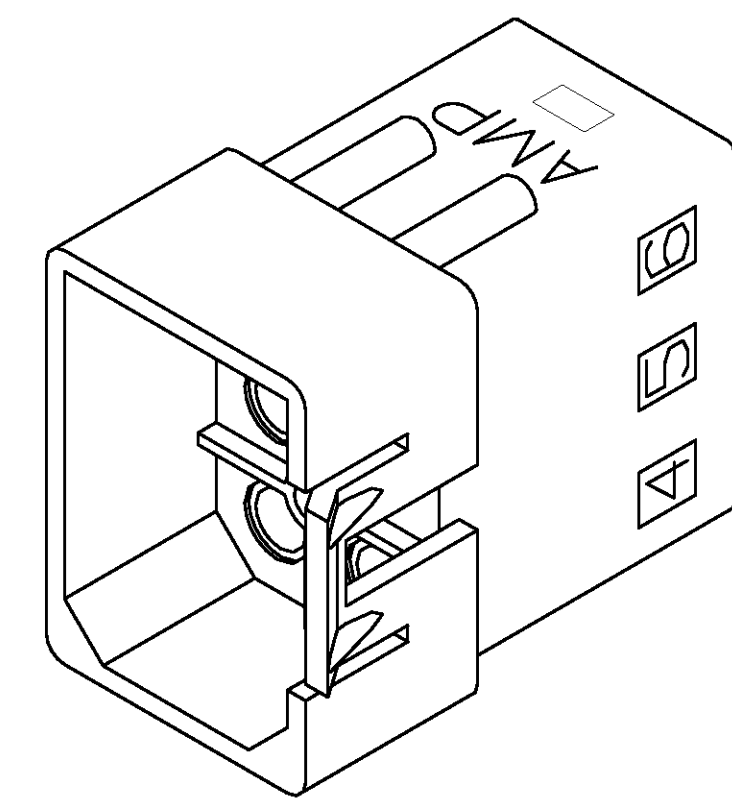
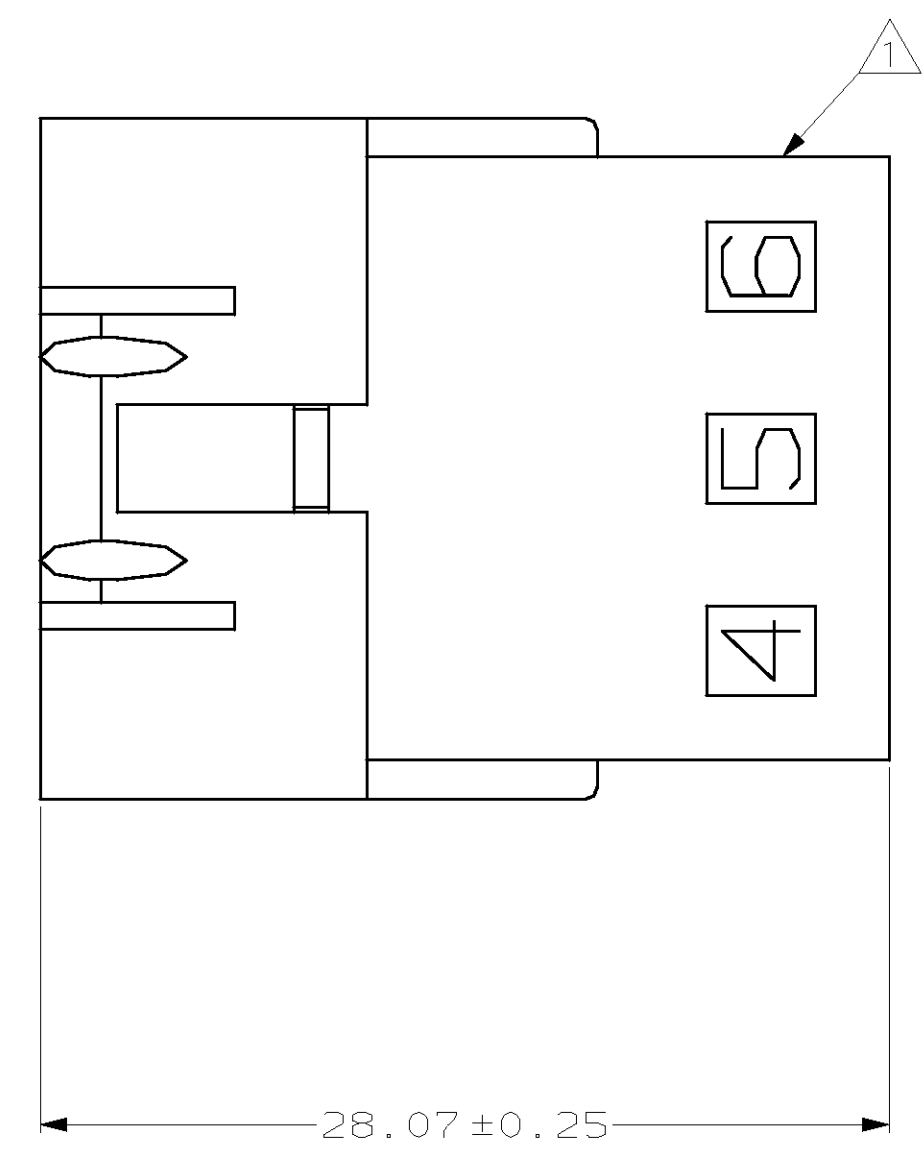
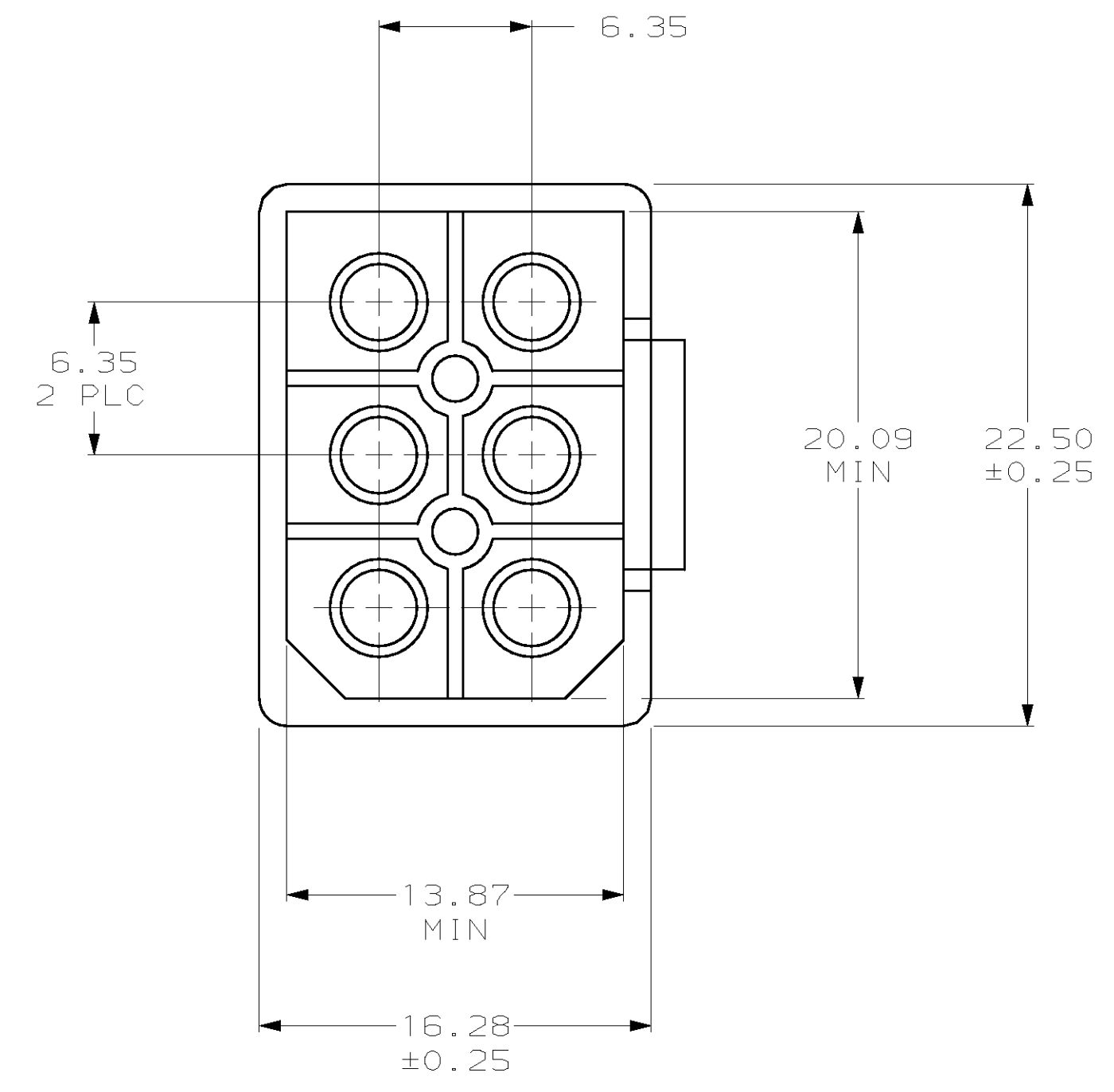
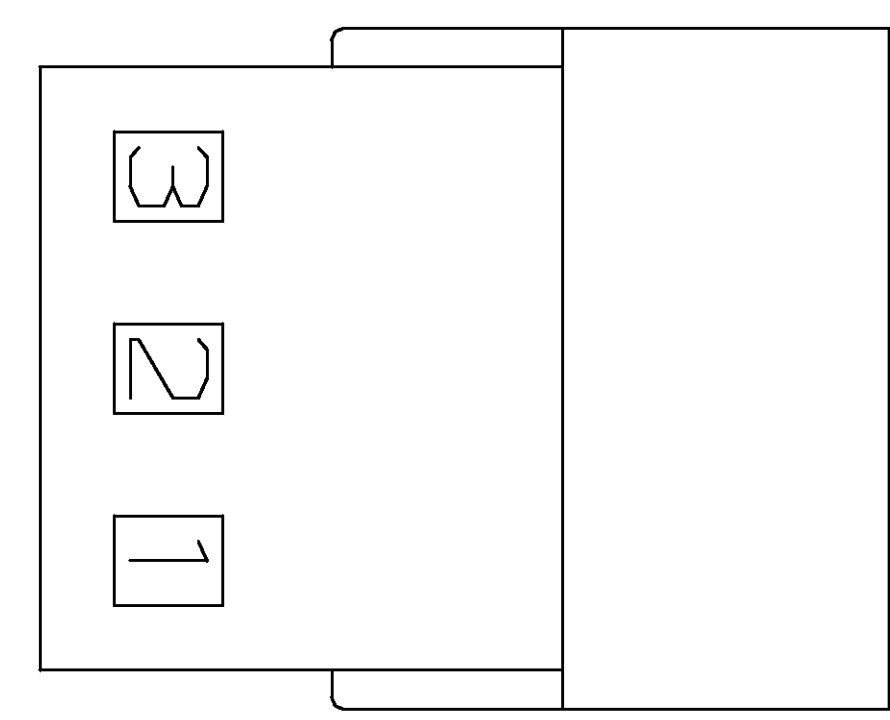


LOC	QTY	REV	DESCRIPTION	DATE	OWN	APVD
CM	53					
C			RELEASED PER PR EC 0L30-0270-97	12-12-97	KW	RS

⚠ AMP LOGO AND CAVITY NUMBER LOCATED THIS SURFACE.



3-DIMENSIONAL MODEL NTS

MM	IN
28.07	1.105
22.50	.886
20.09	.791
16.28	.641
13.87	.546
6.35	.250
0.25	.010
0.13	.005

CONVERSION TABLE

770361-1
PART NUMBER

METRIC

THIS DRAWING IS A CONTROLLED DOCUMENT.		OWN: K. WHITAKER 12-12-97	AMP Incorporated Harrisburg, PA 17105-3608
DIMENSIONS: mm		CHK: R. SWING 12-12-97	NAME: PLUG, PANEL MOUNT, 6 CIRCUIT, .250 PIN AND SOCKET
TOLERANCES UNLESS OTHERWISE SPECIFIED:		APVD: K. COBLE 12-12-97	RESTRICTED TO
0 PLC ±-	1 PLC ±-	PRODUCT SPEC	SIZE: A1
2 PLC ±0.13	3 PLC ±-	APPLICATION SPEC	CAGE CODE: 00779
4 PLC ±-	ANGLES ±-	HEIGHT	DRAWING NO: 770361
MATERIAL: NYLON, UL 94V-2, NATURAL	FINISH: -	CUSTOMER DRAWING	SCALE: 4:1
		SHEET 1 OF 1	REV C